

# GEFRAN

## AR2

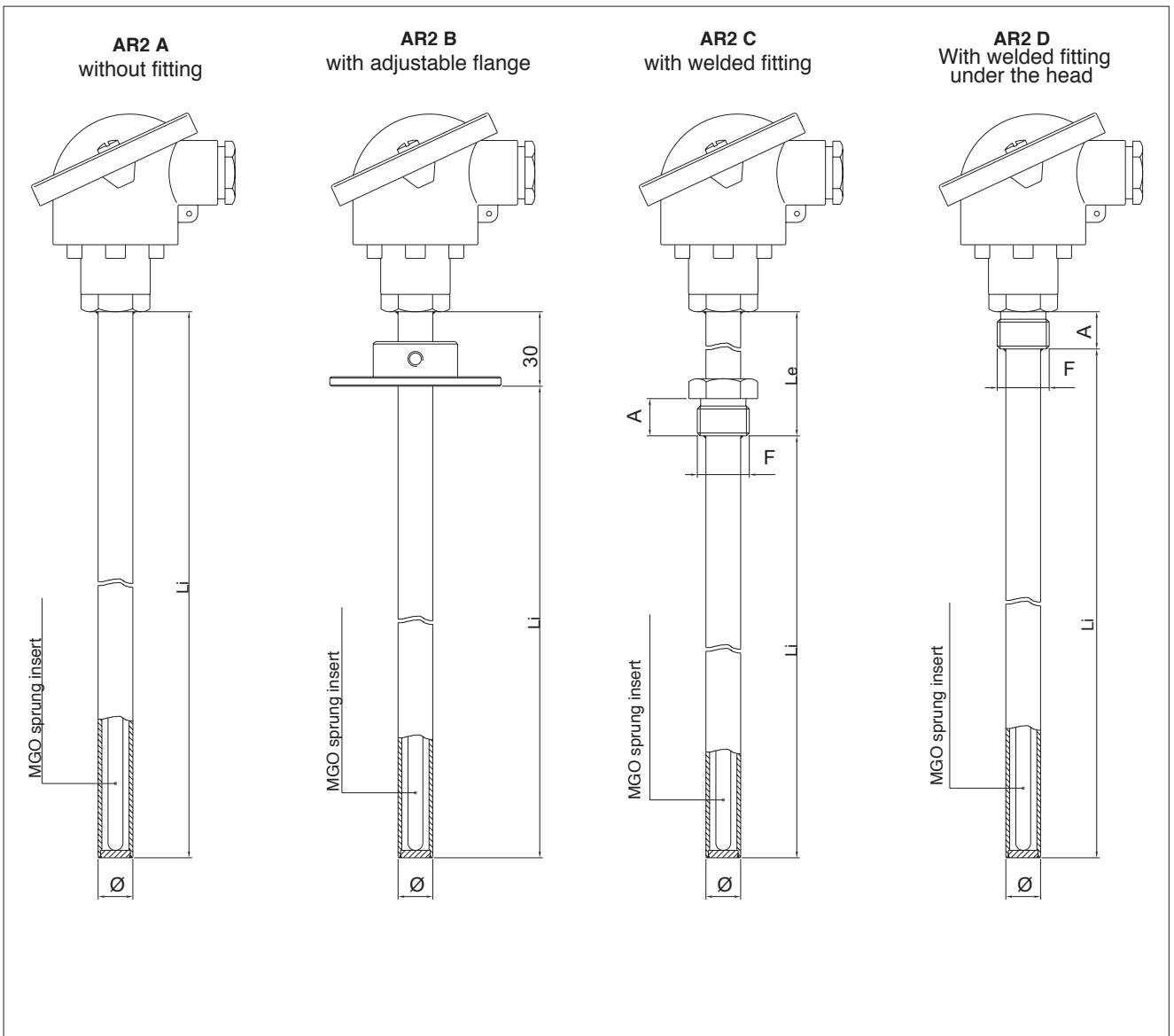
Resistance thermometer with interchangeable insert for measure in industrial processes and furnaces



### Main features

- Amplified output signal
- Temperature limits: -80 ... +600°C
- Tolerance: UNI 7937, IEC 751 standards:
  - ± 0.15° C a 0° C for class A (1/2 DIN)
  - ± 0.30° C a 0° C for class B (1 DIN)
  - ± 0.10° C a 0° C for class 1/3 DIN
- Insulation: > 100 MOhm for voltage values from 10 to 100 Vcc
- PT100 wire-wound resistance thermometer
- Mineral insulated interchangeable insert
- Application versatility

### MODELS



# ORDER CODE

CODE

A R 2 | | | | | | | | 0 | 0 0 0 X | | | | X | | | | | | A |

| Model                              |   |
|------------------------------------|---|
| Without fitting                    | A |
| With adjustable flange             | B |
| With welded fitting                | C |
| With welded fitting under the head | D |

| Element + Nr. of Wires |   |
|------------------------|---|
| Single 2 wires         | 1 |
| Single 3 wires         | 2 |

| Precision Class         |   |
|-------------------------|---|
| PT100 class A (1/2 DIN) | A |
| PT100 class B (1 DIN)   | B |
| PT100 class (1/3 DIN)   | C |

| Connection Head |   |
|-----------------|---|
| DIN B           | C |
| DIN BUS         | E |
| EEX d IIC 2GD   | F |
| CEAA            | H |
| DIN BUZ - H     | I |

| Sheath Material |   |
|-----------------|---|
| AISI 304        | A |
| AISI 310        | B |
| AISI 316        | C |
| INCONEL 600     | F |

| Sheath Diameter (mm) |   |
|----------------------|---|
| 10                   | K |
| 12                   | L |
| 14                   | M |
| 16                   | O |
| 17.2 (3/8")          | P |
| 21.3 (1/2")          | Q |
| 26.7 (3/4")          | T |

| Connection Thread * |           |   |
|---------------------|-----------|---|
| 3/8" GAS            | "A"= 15mm | C |
| 1/2" GAS            | "A"= 15mm | D |
| 3/4" GAS            | "A"= 18mm | E |
| 1" GAS              | "A"= 18mm | F |
| 3/8" NPT            |           | I |
| 1/2" NPT            |           | J |
| 3/4" NPT            |           | K |
| 1" NPT              |           | L |

(\*) To be shown for C model only

| Connection Material / flange |   |    |
|------------------------------|---|----|
| 300 Series Stainless Steel   | 2 | *  |
| Aluminium                    | 4 | ** |
| Carbon Steel                 | 5 | ** |

(\*) For fittings only  
(\*\*) For flanges only

| Certificates |                   |
|--------------|-------------------|
| A            | Conformity Report |

LENGTHS AND ACCESSORIES

| Type of Transmitter |          |
|---------------------|----------|
| A                   | 4 ÷ 20mA |

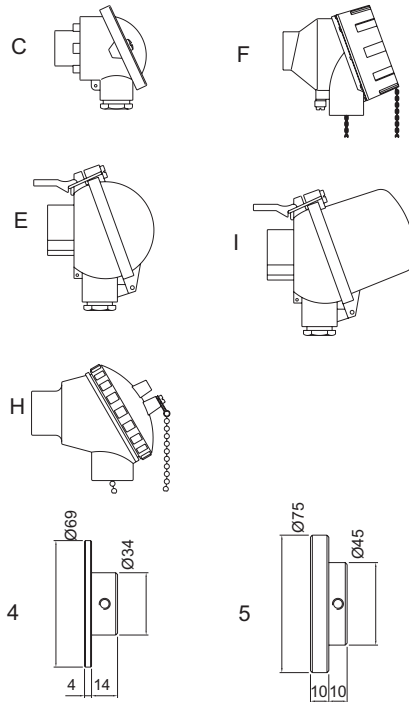
| Li = Immersion Length (mm)                        |  |
|---|--|
| Standard length from 100 to 2000mm with 50mm step |  |

| Le = Extension Length (mm) *                    |  |
|---|--|
| Standard length from 35 to 200mm with 10mm step |  |

(\*) Available for AR2C only

Temperature range in which the calibration has to be made

| min T |      | max T |  |
|-------|------|-------|--|
| °C    |      | °C    |  |
| 4mA   | 20mA |       |  |



| Mod. C - D |        |
|------------|--------|
| MOUNT (F)  | A (mm) |
| G 3/8      | 15     |
| G 1/2      | 15     |
| G 3/4      | 18     |
| G 1        | 20     |
| 3/8 NPT    | 16     |
| 1/2 NPT    | 20     |
| 3/4 NPT    | 20     |
| 1 NPT      | 25     |

| Availability of Mounts /Sheathing Diameter |     |     |     |     |       |       |       |   |
|--|-----|-----|-----|-----|-------|-------|-------|---|
| MOUNT (F)                                  | ø10 | ø12 | ø14 | ø16 | ø17.2 | ø21.3 | ø26.7 |   |
| G 3/8                                      | x   | x   | -   | -   | -     | -     | -     | - |
| G 1/2                                      | x   | x   | x   | x   | -     | -     | -     | - |
| G 3/4                                      | x   | x   | x   | x   | x     | x     | -     | - |
| G 1  | x   | x   | x   | x   | x     | x     | x     | x |
| 3/8 NPT                                    | x   | x   | -   | -   | -     | -     | -     | - |
| 1/2 NPT                                    | x   | x   | x   | x   | -     | -     | -     | - |
| 3/4 NPT                                    | x   | x   | x   | x   | x     | x     | -     | - |
| 1 NPT                                      | x   | x   | x   | x   | x     | x     | x     | x |

Sensors amplifiers are manufactured in compliance with:  
- EMC 2014/30/EU compatibility directive  
- RoHS 2011/65/EU directive

Electrical installation requirements and Conformity certificate are available on our web site: [www.gefran.com](http://www.gefran.com)

GEFRAN spa reserves the right to make any kind of design or functional modification at any moment without prior notice

# GEFRAN